



MAXIVOLT.COM
SERIOUS SURGE PROTECTION®
MADE IN THE USA • SINCE 1988



MV-400

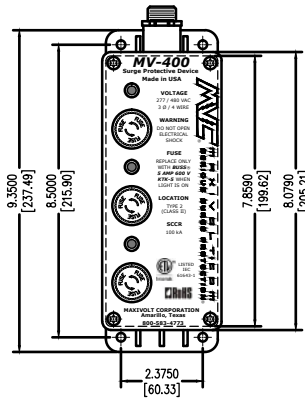
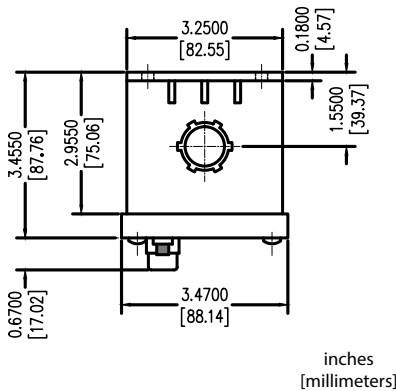
- **Serviceable Safety Fusing**
- **Hybrid Surge Suppression Circuit**
- **No Ground Connection**
- **Durable Catalyst Paint**
- **Low Clamping Voltage**
- **Low Surge Current Rating**
- **5 Year Warranty**
- **ETL-EU Listed to IEC 61643-1**
- **Made In The USA**



MV-400 Surge Protective Device

Maxivolt • Serious Surge Protection • Made in USA • Maxivolt • Serious Surge Protection • Made in USA • Maxivolt • Serious Surge Protection • Made in USA • Maxivolt

Approximate Size (H x W x D) 7" x 3.5" x 4"



Application

Voltage: 277 / 480 VAC
 Configuration: 3 Ø / 4 Wire

Characteristics

Fusing: Buss® 5 Amp 250V AGC-5
 Indication: Normally Off Neon Lights
 Conductor: 14 AWG Stranded
 Enclosure: NEMA® Type 2

Certifications

Listing: ETL-EU IEC 61643-11
 Environmental: RoHS

Specifications

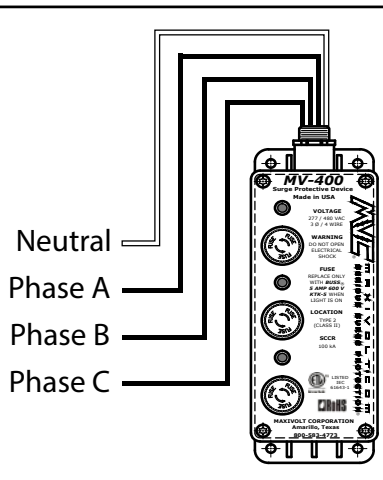
Modes of Protection: L-N, L-L
 Type (Class): II (2)
 Clamp Voltage [1 mA] L-N (L-L): 472 (942)
 VPL [2kA] L-N (L-L): 840 (1360)
 SCCR: 100 kA
 MCOV L-N (L-L): 300 (600)
 Operating Temperature: -40° C to 85° C
 Operating Humidity: 1% to 95%
 Filtering: UL 1283
 EMI-RFI Noise Attenuation: < 40 db
 Capacitance: 1 to 1.5 µF / Line
 Component Response Time: < 1 ns
 Frequency Range: 50 - 400 HZ
 Nominal Discharge Current: 2 kA
 Degree of Protection: IP 20

Standard Installation Summary

Install According To Instructions Provided With Device

1. Remove 1/2" knockout.
2. Mount using mounting feet with proper anchors.
3. Connect one black conductor to phase A.
4. Connect other black conductor to phase B.
5. Connect last black conductor to phase C.
6. Connect white conductor to neutral.
7. Install fuses.

Note: Breaker Size 15 amp (if required).
Note: Never add length to provided conductors.
Note: For optimum SPD performance minimize conductor length and avoid sharp bends.



Maxivolt Corporation (806) 371-0722
 9350 South Georgia Street (800) 583-4773
 Amarillo, Texas, USA www.maxivolt.com